

# LIQUID COOLING

Series KS



A Miba Group Company

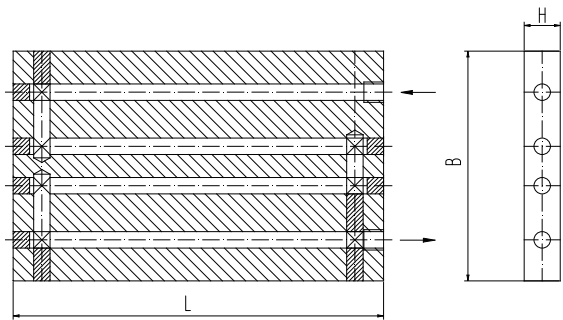


## APPLICATION

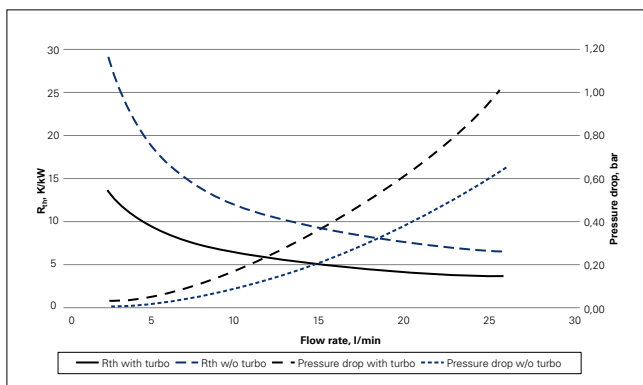
With the KS Series cold plates, DAU has created a liquid cooling system which offers a great variety of solutions for high power IGBT and resistor applications. Lengths of plates and water routing are fully customer specific.

## GENERAL CHARACTERISTICS

Different size of base profiles, sealed with a unique patented technology that can withstand an working pressure up to 200 bar offers an optimal cooling unit for nearly every resistor size. At a certain volume custom specific profiles can be initialized. The volume depends on the size of the profile.



Type	Width B mm	Thickness H mm	max. Length	Channels
KS100	100	23	2000	3
KS110	110	23	2000	4
KS140	140	23	2000	4
KS 140-Typ1	140	23	2000	4
KS188	188	27	2000	6
KS200	200	23	2000	6
KS 200-Typ1	200	20	2000	6
KS215	215	27	2000	6
KS290	290	32	2000	12
KS291	290	20	2000	16
KS292	292	24	2000	9
KS430	430	25	2000	6



## DESCRIPTION

No. of modules: 2  
 Module size: 140x190 [mm]  
 Power dissipation: 1000 [W/modul]  
 Thermocouple: Type K  
 Fluid type: H<sub>2</sub>O  
 Fluid inlet temperature: 50 [°C]

# LIQUID COOLING

Series KS

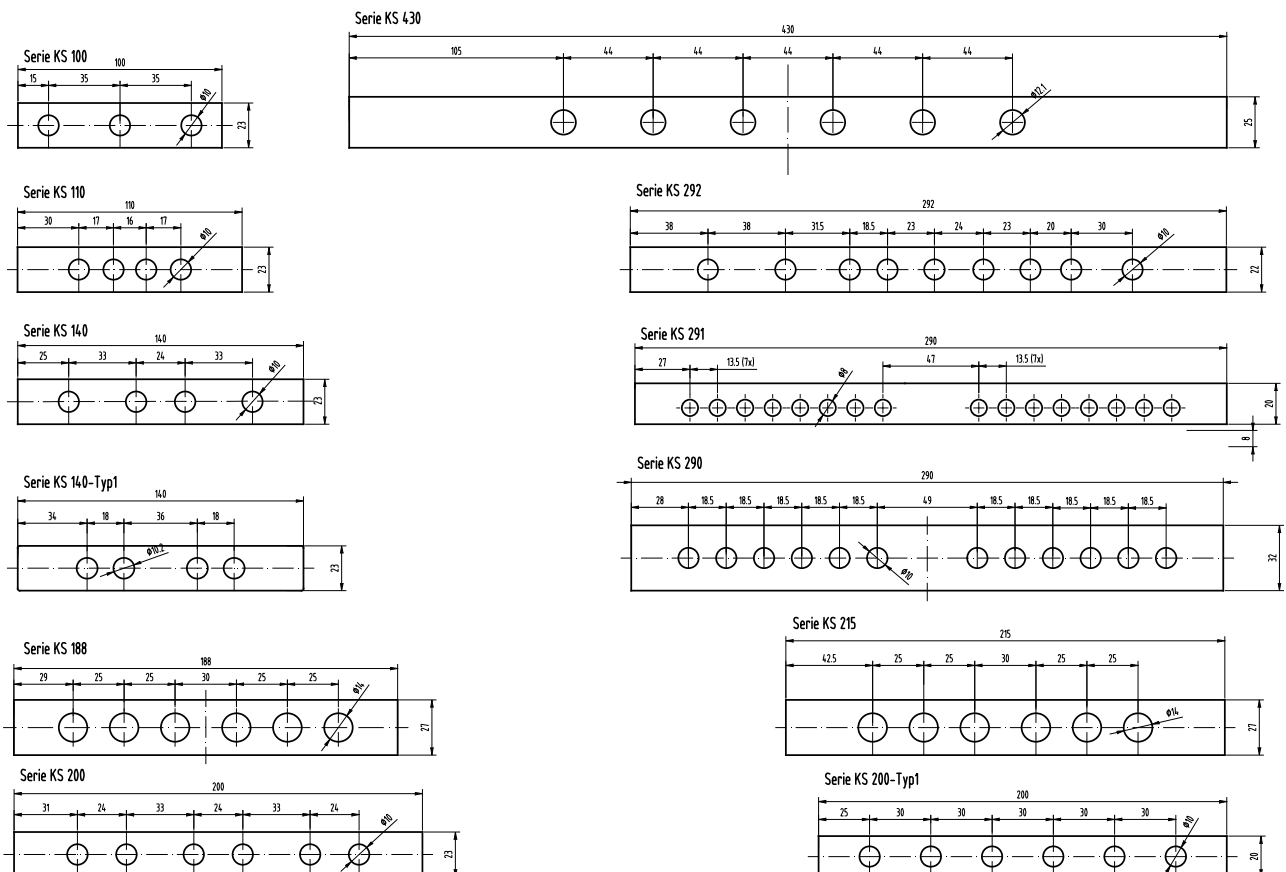


A Miba Group Company



## PROFILES

Different sizes of profiles offers an optimal cooling unit for nearly every semiconductor size. At a certain volume custom specific profiles can be initialized. The volume depends on the size of the profile. Please contact our technical department for further assistance.



# LIQUID COOLING

Series KS



A Miba Group Company



## TYPICAL WATER FLOW PATTERNS (STANDARD)

Water inlet and outlet locations are variable. Enclosed drawings show only some standard configurations. Tapers for connectors are typically 1/4 or 3/8 inch. For style KS 188, KS 215 and KS 290 also 1/2 inch can be used.

