

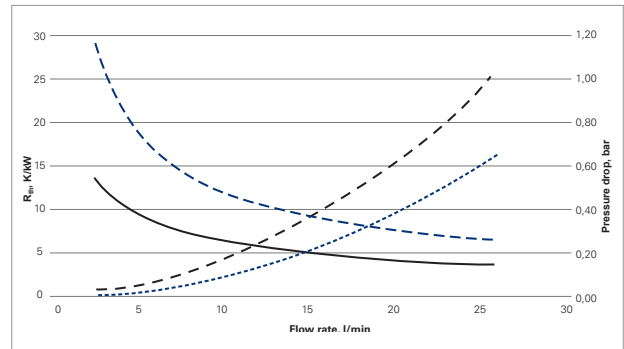
Application

With the KS Series cold plates, Miba has created a liquid cooling system which offers a great variety of solutions for high power IGBT and resistor applications. Lengths of plates and water routing are fully customer specific.

General Characteristics

Different size of base profiles, sealed with a unique patented technology that can withstand an working pressure up to 200 bar offers an optimal cooling unit for nearly every resistor size. At a certain volume custom specific profiles can be initialized. The volume depends on the size of the profile.

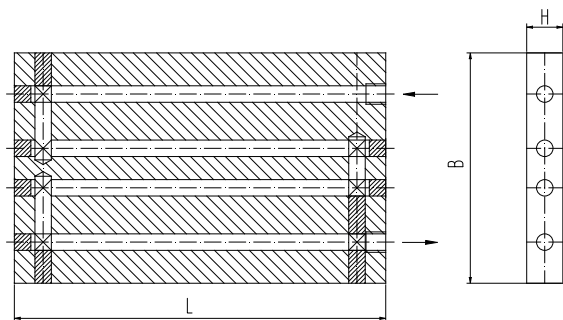
Type	Width B mm	Thickness H mm	max. Length	Channels
KS100	100	23	2000	3
KS110	110	23	2000	4
KS140	140	23	2000	4
KS 140-Typ1	188	23	2000	4
KS188	200	27	2000	6
KS200	200	23	2000	6
KS 200-Typ 1	215	20	2000	6
KS215	290	27	2000	6
KS290	290	32	2000	12
KS291	290	20	2000	16
KS292	292	24	2000	9
KS430	430	25	2000	6

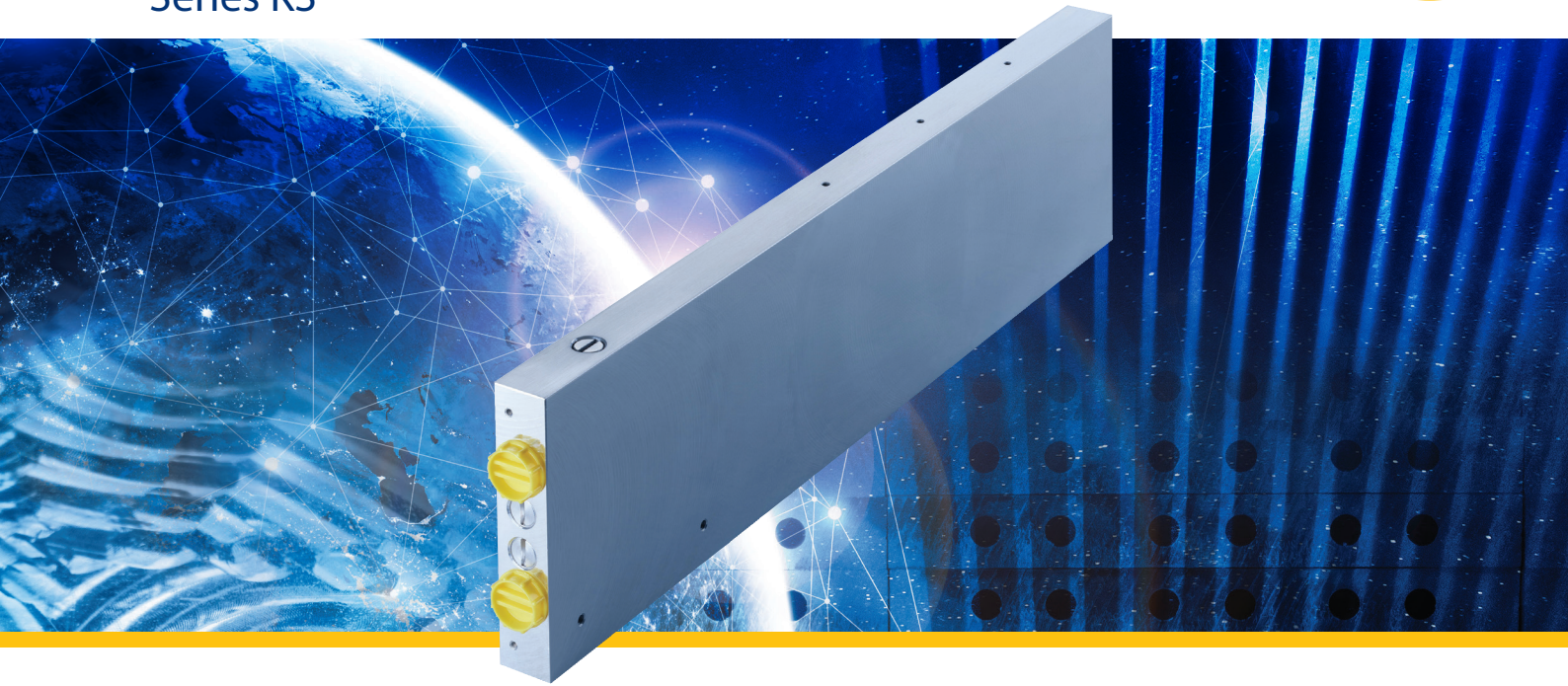


Description

No. of modules: 2
 Module size: 140x190 [mm]
 Power dissipation: 1000 [W/modul]
 Thermocouple: Type K
 Fluid type: H2O
 Fluid inlet temperature: 50 [°C]

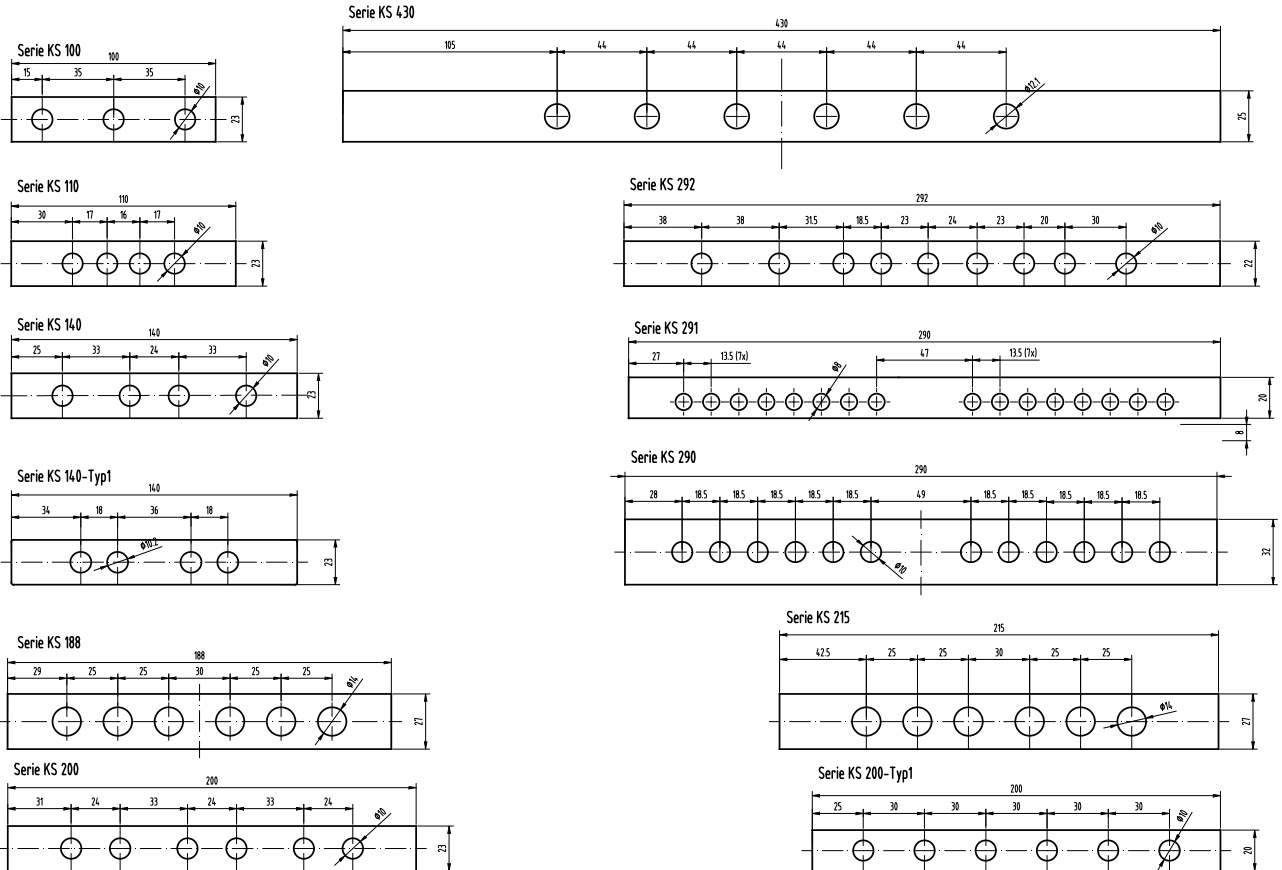
Drawing

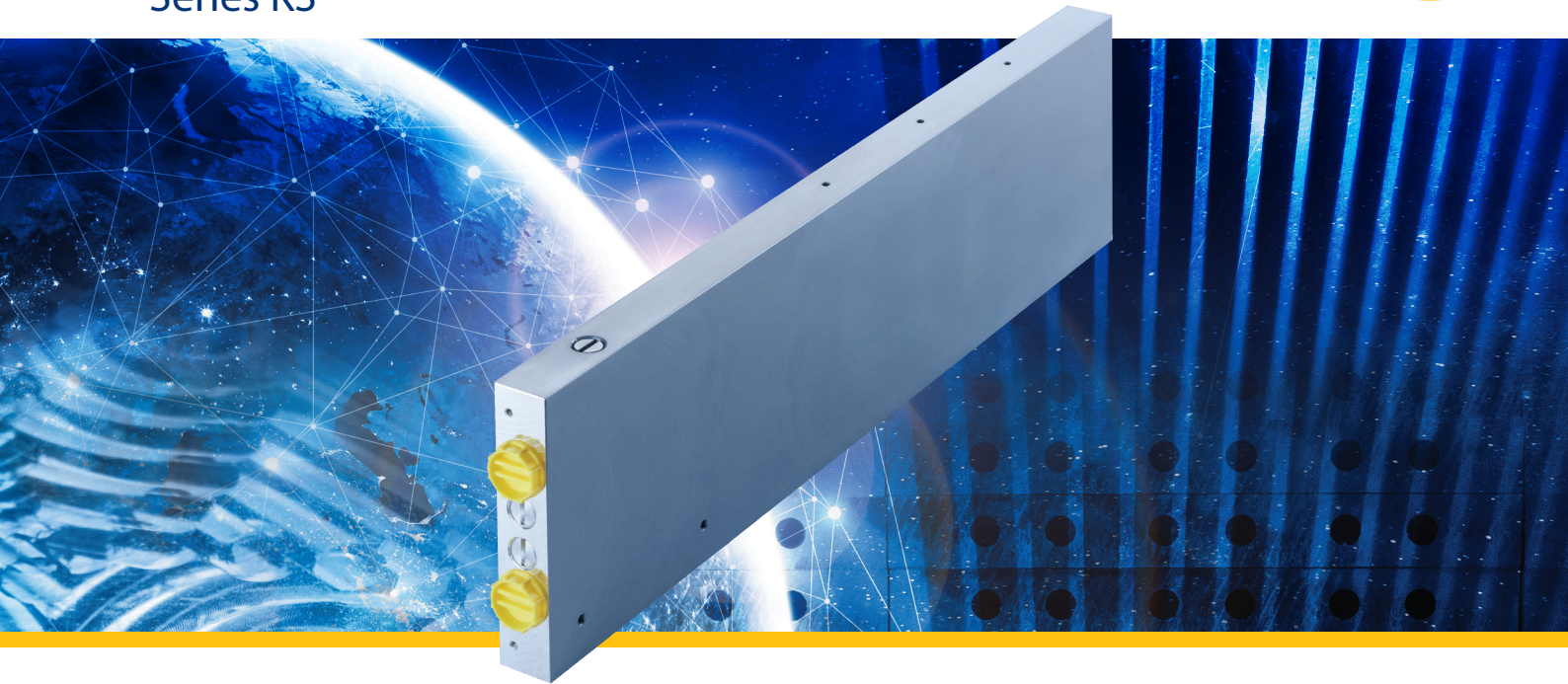




Profiles

Different sizes of profiles offers an optimal cooling unit for nearly every semiconductor size. At a certain volume custom specific profiles can be initialized. The volume depends on the size of the profile. Please contact our technical department for further assistance.





Typical Water Flow Patterns (Standard)

Water inlet and outlet locations are variable. Enclosed drawings show only some standard configurations. Tapers for connectors are typically 1/4 or 3/8 inch. For style KS 188, KS 215 and KS 290 also 1/2 inch can be used.

